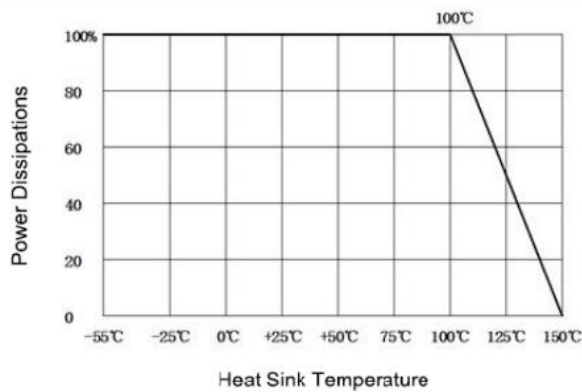


## Flange Attenuators

### Electrical Features

- ◇ **Input Impedance:** 50 Ω
- ◇ **Substrate Material:** Aluminum Nitride (AlN)
- ◇ **Power Rating:** 20W-250W
- ◇ **Frequency Range:** DC-3GHz
- ◇ **Attenuation Value:** 1-30dB
- ◇ **Attenuation Tolerance:** 1-10dB ±0.6dB / 11-20dB ±0.8dB / 21-30dB ±1.0dB
- ◇ **Operating Temperature:** -55°C to +150°C
- ◇ **Temperature Coefficient:** ±150ppm/°C
- ◇ **RoHS Compliant**

### Power Derating



### HOW TO ORDER

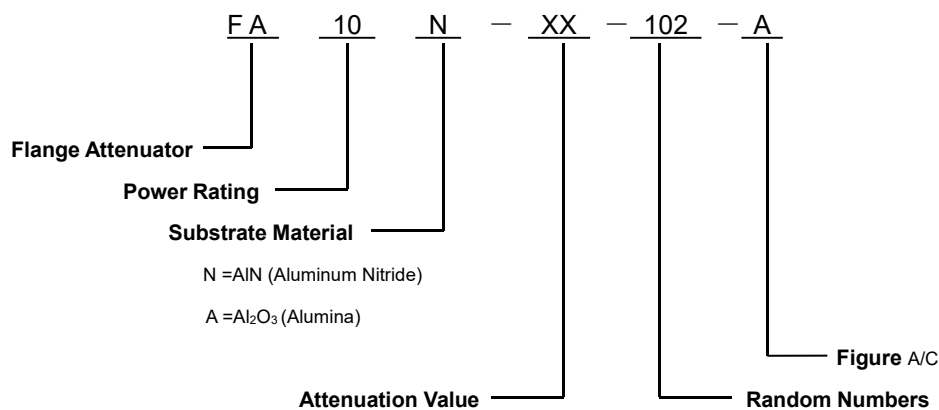


Figure A-1

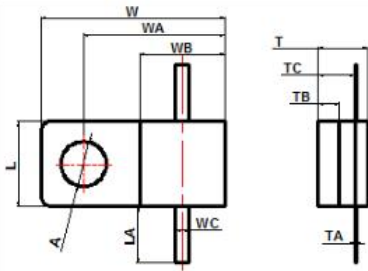


Figure A-2

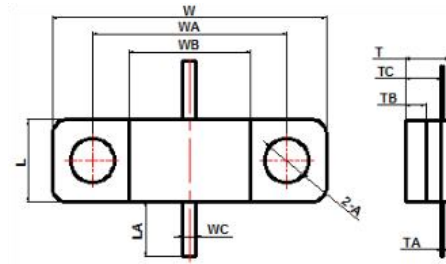
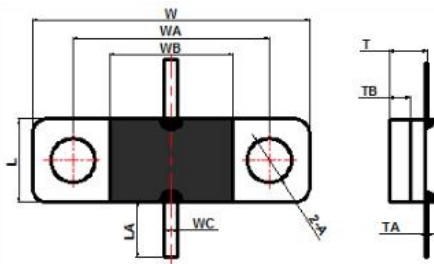


Figure C-2



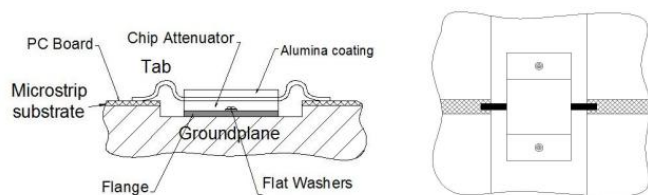
## General Specifications and Dimensions

Part Number	Power Rating (W)	Atten Value (dB)	Freq. (GHz)	VSWR (Max.)	Dimensions (mm)											Outline Drawing
					L	W	T	WA	WB	LA	WC	TA	TB	TC	A	
FA20N-6-501A	20	6	DC-3	1.20 :1	6.0	20.0	3.5	14.0	8.9	6.0	1.0	0.1	1.5	2.6	3.2	A-1
FA30N-3-101A	30	3	DC-3	1.20 :1	6.0	13.0	3.5	10.0	6.0	6.0	1.0	0.1	1.5	2.6	3.2	A-2
FA100N-30-501C	100	30	DC-3	1.20 :1	6.0	20.0	2.9	14.2	8.9	6.0	1.0	0.1	1.5	2.5	3.2	C-2
FA150N-30-371C	150	30	DC-3	1.20 :1	6.35	20.8	3.5	15.2	9.5	4.5	1.4	0.1	1.5	2.6	3.5	C-2
FA250N-30-007C	250	30	DC-3	1.25 :1	9.5	24.8	5.6	18.4	9.5	3.0	1.4	0.1	3.0	4.6	3.5	C-2

\* Customized products are available, please consult with Kete.

## Installation Instructions

1. When welding devices or leads, it is best to use a temperature-controlled soldering iron and keep the temperature at 260°C.
2. It is best to make an arch bridge shape at the lead (as shown), which can release the ability of thermal deformation to ensure good contact at the lead. Install the lead as little as possible to prevent the lead break.



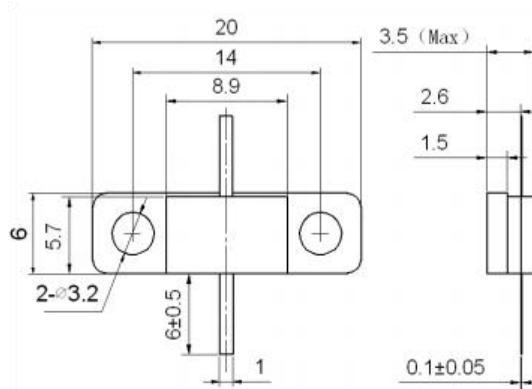
## Flange Attenuators

**Part Number: FA20N-6-501A**

### Electrical Specifications

- ✧ **Input Impedance:** 50 Ω
- ✧ **Power Rating:** 20W
- ✧ **Substrate Material:** AlN
- ✧ **Frequency Range:** DC-3GHz
- ✧ **Attenuation Value:** 6dB
- ✧ **Attenuation Tolerance:** ±0.6dB
- ✧ **VSWR (Max.):** 1.20 :1
- ✧ **Operating Temperature:** -55°C to +150°C
- ✧ **Lead Length:** 6mm

### Outline Drawing (mm)

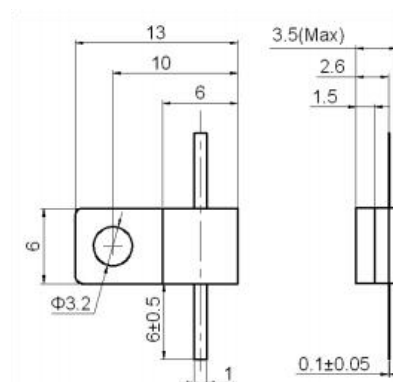


**Part Number: FA30N-3-101A**

### Electrical Specifications

- ✧ **Input Impedance:** 50 Ω
- ✧ **Power Rating:** 30W
- ✧ **Substrate Material:** AlN
- ✧ **Frequency Range:** DC-3GHz
- ✧ **Attenuation Value:** 3dB
- ✧ **Attenuation Tolerance:** ±0.6dB
- ✧ **VSWR (Max.):** 1.20 :1
- ✧ **Operating Temperature:** -55°C to +150°C
- ✧ **Lead Length:** 6mm

### Outline Drawing (mm)

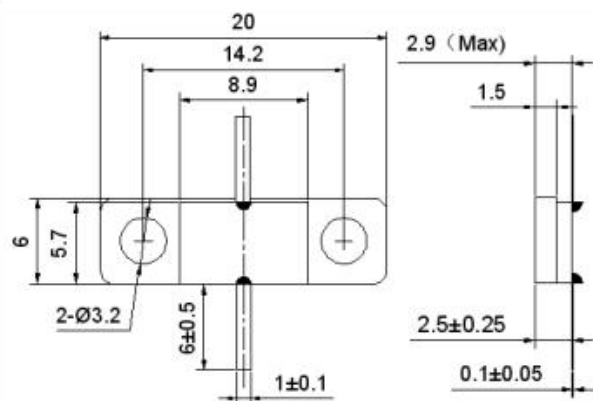


**Part Number: FA100N-30-501C**

### Electrical Specifications

- ✧ **Input Impedance:** 50 Ω
- ✧ **Power Rating:** 100W
- ✧ **Substrate Material:** AlN
- ✧ **Frequency Range:** DC-3GHz
- ✧ **Attenuation Value:** 30dB
- ✧ **Attenuation Tolerance:** ±1.0dB
- ✧ **VSWR (Max.):** 1.20 :1
- ✧ **Operating Temperature:** -55°C to +150°C
- ✧ **Lead Length:** 6mm

### Outline Drawing (mm)



### Flange Attenuators

**Part Number: FA150N-30-371C**

#### Electrical Specifications

- ✧ **Input Impedance:** 50  $\Omega$
- ✧ **Power Rating:** 150W
- ✧ **Substrate Material:** AlN
- ✧ **Frequency Range:** DC-3GHz
- ✧ **Attenuation Value:** 30dB
- ✧ **Attenuation Tolerance:**  $\pm 1.0$ dB
- ✧ **VSWR (Max.):** 1.20 :1
- ✧ **Operating Temperature:** -55°C to +150°C
- ✧ **Lead Length:** 4.5mm

#### Outline Drawing (mm)

---

**Part Number: FA250N-30-007C**

#### Electrical Specifications

- ✧ **Input Impedance:** 50  $\Omega$
- ✧ **Power Rating:** 250W
- ✧ **Substrate Material:** AlN
- ✧ **Frequency Range:** DC-3GHz
- ✧ **Attenuation Value:** 30dB
- ✧ **Attenuation Tolerance:**  $\pm 1.0$ dB
- ✧ **VSWR (Max.):** 1.25 :1
- ✧ **Operating Temperature:** -55°C to +150°C
- ✧ **Lead Length:** 3mm

#### Outline Drawing (mm)